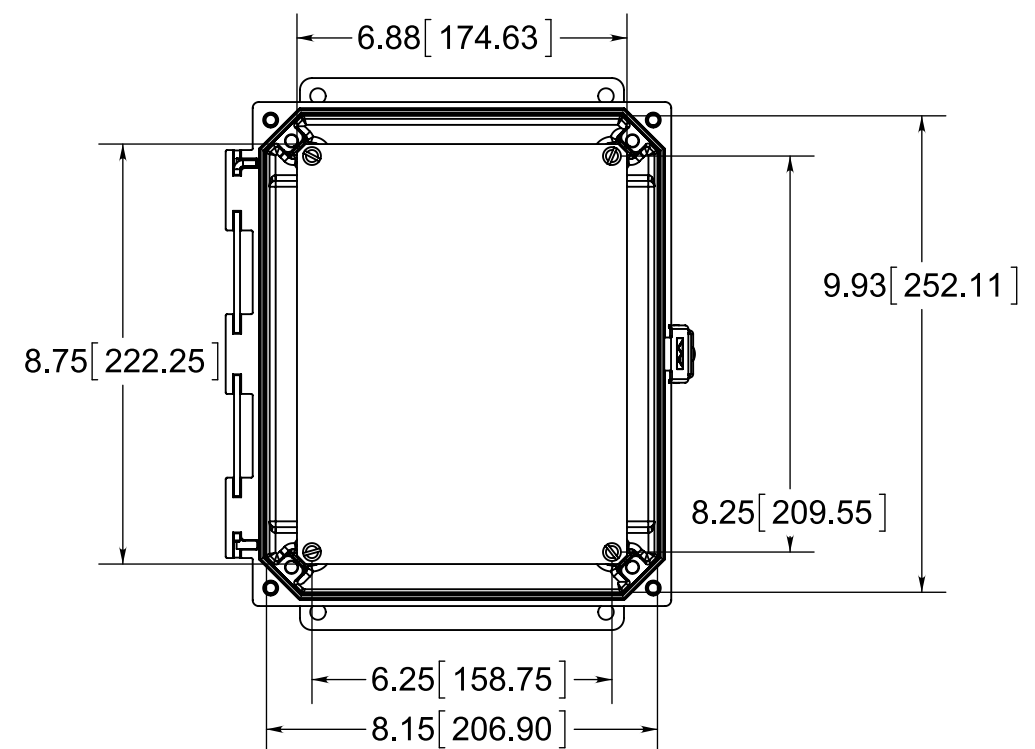


OPTIONAL BACK PANEL SHOWN
 0.100 [2.54mm] TH'K- ALUMINUM
 0.075 [1.91mm] TH'K- WHITE STEEL

FRONT VIEW
 WITH COVER REMOVED
 AND BACK PANEL DISPLAYED



STAINLESS STEEL
 HINGE PIN

CLOSED CELL
 NEOPRENE
 GASKET

STAINLESS STEEL
 LOCKABLE SNAP LATCH
 LOCATED ON CENTER

.14 [3.68]

(4) EACH #10-32 BRASS
 INSERTS AND PLATED
 CARBON STEEL TRUSS SCREW

MATERIAL:
 BOX- INJECTED POLYCARBONATE
 COVER- INJECTED POLYCARBONATE

ELHOR Technologies Inc.

DRAWN: PCK	TITLE: WattsOn-Mark II -M Metering Kit Dimensions	CODE:
CHECKED: CKK		
DATE: 2021/08/30	FILE: ..\W2KIT-M-Dimensions.svg	SHEET: 1 of 1